

# IG-BA001 Oxygen Breathing Apparatus



It is made according to Dräger PSS BG4 Plus. The equipment with high safety, high reliability and high comfortable. Applies to the rescue and relief in toxic, hipoxia, smoke, suspend in the air of harmful pollutants and other harsh environments.

## + Outstanding Features of IG-BA001 Oxygen Breathing Apparatus

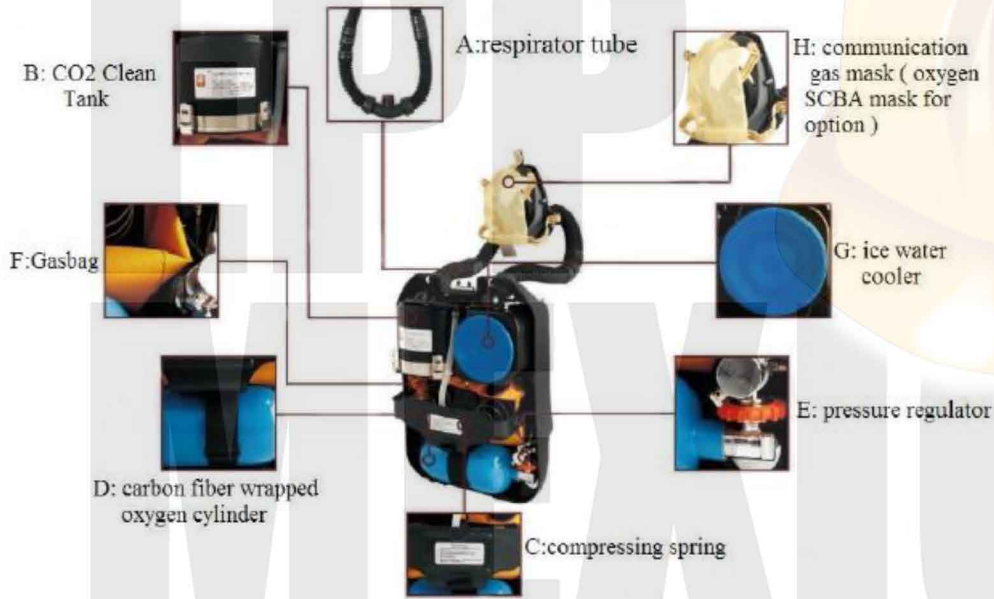
- IG-BA001 Positive Pressure Fire Oxygen Breathing Apparatus, as the High-tech PPE, characteristics of simple structure, long working hours, fewer parts, Small size, light weight, fully functional, safety, reliable, high-comfort, easy disassembly, easy to use and maintenance.

## Main Technical Parameters

Using Time : $\geq 4$ hours according to EN145	Exhalation Resistance : $\leq 600$ Pa (under medium working force)
Working Pressure : 20 Mpa	Exhalation Resistance : $\leq 700$ Pa (under heavy duty working force)
Oxygen Supply : $\geq 1.4$ L/min	Inhalation Resistance: $\leq 500$ Pa (under medium working force)
Volume of Oxygen Cylinder : 2.5L	Inhalation Resistance: $\leq 600$ Pa (under heavy duty working force)
Volume of calcium hydroxide: 2.5KG	Automatic Oxygen Supply : $\geq 80$ L/min (cylinder pressure 20~3MPa)
Automatic supply valve opening pressure: 50~250 Pa	Manual Oxygen Supply : $\geq 80$ L/min (cylinder pressure 20~3MPa)
Automatic exhaust valve opening pressure : 400~700 Pa	Oxygen Quality Standard : GB8982

# IG-BA001 Oxygen Breathing Apparatus

## Main Components Description



## + Outstanding Features of Each Component

### A. Respirator Tube

The tube use flame-retardant and anti-static silicone rubber material. Non-toxic tasteless, aging resistance, light weigh, punctures resistance and long life. With Large hose section and weak respiratory resistance. The special surface coating process can reduce the ash accumulation phenomenon.

### B. CO2 Clean Tank

The shrapnel card lock with bottom of the opening manner and convenient loading pharmacy into the tank which has a dust filter device.

### C. Compressing Spring

Stainless steel cold-forming process, Corrosion-resistant, reliable reciprocation action.

### D. Carbon fiber wrapped oxygen cylinder

High-strength cylinder made of aluminum alloy liner and carbon fiber wrapped. High pressure resistance and light weight and wear- resistant coating. The cylinder equipped with safety diaphragm and pressure gauge.

# IG-BA001 Oxygen Breathing Apparatus

## E. Pressure regulator

High quality stainless steel let high pressure reduced to low mid-pressure.

## F. Gasbag

Rubber plate made of high strength, moisture performance, and scratch grind material which Safe, reliable, long life. The bag effective volume is greater than 5L and equipped with large platen area. The bag move smooth and resistance is small, comfortable for breathing.

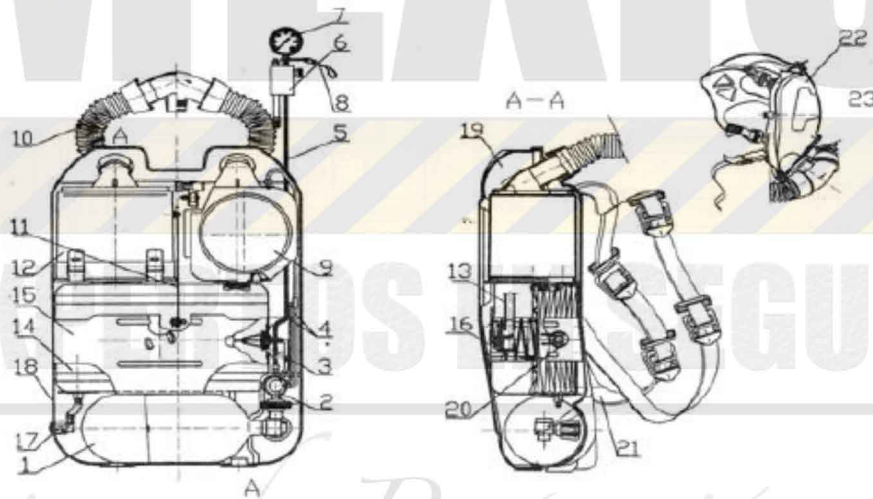
## G. Ice water cooler.

The ice water cooler has high quality aluminum casing. The device has High strength, corrosion resistance, thermal conductivity fast and better cooling. Let the air comfortable when breathing.

## H. communication gas mask (Oxygen SCBA Mask for option)

The mask equipped long and nearly distances communication functional. The specular is molded by the flame-retardant optical PC. The sealing colloid made by the silastic material. Flame retardant, better vision and excellent light transmission. Inner surface has permanent anti-fog film.

## + Equipment Structure



- |                                   |                      |                        |                   |
|-----------------------------------|----------------------|------------------------|-------------------|
| 1、oxygen cylinder                 | 2、pressure regulator | 3、self-compliment tube | 4、manual quota    |
| 5、high pressure whistle and tube  | 6、pressure alarm     | 7、oxygen gauge         | 8、shackle         |
| 9、ice water cooler                | 10、respirator tube   | 11、rocker arm          | 12、CO2 Clean Tan  |
| 13、pressure relief valve and tube | 14、gasbag            | 15、cross beam          | 16、spring carrier |
| 17、drain valve                    | 18、down shell        | 19、upper shell         | 20、valve slot     |
| 21、back plate                     | 22、full face mask    | 23、half face mask      |                   |

# IG-BA001 Oxygen Breathing Apparatus

## + Safety Instructions

- 1. The CO<sub>2</sub> absorber in the cleaning tank must be fully filled, no less than 2.5kg, can only be used for one time, after finish using, need to change new absorber, according to MT454 standard.
- 2. Must use the medical oxygen, according to GB8982 standard.
- 3. The equipment is prohibited to get close to any oils and corrosive mediums.
- 4. The equipment is prohibited to be used in open fire.
- 5. The flame retardant rubber components must be supplied by the professional manufacturer, to avoid any accidents.
- 6. The oxygen cylinder can only be filled with oxygen, other gases are prohibited to be filled in.
- 7. The user of this equipment must be the professional fire fighters or must be trained specially before use it.

MEXICO

EXPERTOS EN SEGURIDAD

*Equipos de Protección Personal*